

SINCO
NETTING SOLUTIONS


Cisco-Eagle

BACK OF RACK NETTING



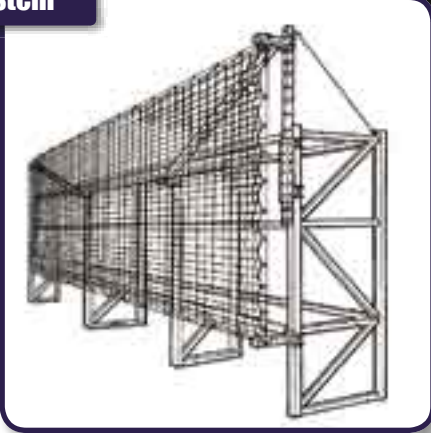
CONVEYOR GUARD NETTING

NETWORKS™
PRE-PACKAGED NETTING SYSTEMS

netting.cisco-eagle.com

Features :

- Netting material available in either 2,500 or 4,000 foot pound capacity
- Nets are available in sizes ranging from 9'4" to 25' wide and in heights from 12' to 20'
- Nets can be joined for extended dimensions
- Hardware kits come complete with all necessary components for quick and easy installation
- Available for flush or offset applications
- Vertical extensions are available

Flush Mount System**Offset System****How To Order :**

Example: 6 Bays wide, with 99" centers and 6" offsets by 10' high, containing pallets with a load of 2,500 lbs.

- (2) Nets, Model #245 Net Part Number 245144300, 25' Wide x 12' High
- (1) Offset Mount Starter Kit, Part Number 10003 and (1) Add-On Part Number 10004 (see pg. 6)

In this case, each net would cover 3 bays wide. Approximately 12 meshes in height and 2 meshes in width would be gathered on each net to create the coverage needed.

BACK OF RACK KITS

Netting

MODEL #480; 4" X 4" Mesh; 4,000 lb. Load Rating		
Part #	Panel Dimensions (W X H)	Metric Panel Dimensions (W X H)
480112144	9'4" X 12'	2.84M X 3.65M
480112192	9'4" X 16'	2.84M X 4.87M
480112240	9'4" X 20'	2.84M X 6.09M
480144148	12'4" X 12'	3.75M X 3.65M
480148192	12'4" X 16'	3.75M X 4.87M
480148240	12'4" X 20'	3.75M X 6.09M
480144248	20'8" X 12'	6.29M X 3.65M
480192248	20'8" X 16'	6.29M X 4.87M
480240248	20'8" X 20'	6.29M X 6.09M
480144300	25' X 12'	7.62M X 3.65M
480192300	25' X 16'	7.62M X 4.87M
480240300	25' X 20'	7.62M X 6.09M

MODEL #245; 2" X 2" Mesh; 2,500 lb. Load Rating		
Part #	Panel Dimensions (W X H)	Metric Panel Dimensions (W X H)
245112144	9'4" X 12'	2.84M X 3.65M
245112192	9'4" X 16'	2.84M X 4.87M
245112240	9'4" X 20'	2.84M X 6.09M
245144148	12'4" X 12'	3.75M X 3.65M
245148192	12'4" X 16'	3.75M X 4.87M
245148240	12'4" X 20'	3.75M X 6.09M
245144248	20'8" X 12'	6.29M X 3.65M
245192248	20'8" X 16'	6.29M X 4.87M
245240248	20'8" X 20'	6.29M X 6.09M
245144300	25' X 12'	7.62M X 3.65M
245192300	25' X 16'	7.62M X 4.87M
245240300	25' X 20'	7.62M X 6.09M

Model #480

- Knotted, Sewn Border
- 4" Square Mesh
- Nylon Polyamide Fiber
- Rated at 4,000 ft. lbs.
- Fire Retardant-NFPA 701
- Mesh Twine:
 - o Single #84 (.135 dia.), 3-Strand Twist
 - o 800 lb. Tensile Breaking Strength
- Border Rope:
 - o 3/8" Diameter, 3-Strand Twist
 - o 3,650 lb. Tensile Breaking Strength

Model #245

- Knotless, Sewn Border
- 2" Square Mesh
- 100% Nylon
- Rated at 2,500 ft. lbs.
- Fire Retardant-NFPA 701
- Mesh Twine:
 - o RN-1201
 - o 330 lb. Tensile Breaking Strength
- Border Rope:
 - o 1/8" Diameter, Nylon Twine
 - o 1,200 lb. Tensile Breaking Strength

Ordering Information

(See pp. 6 & 7 for further details)
 Choose size closest to your requirement.
 Cover one bay or multiple bays per net.
***PLEASE NOTE : ALL BACK OF RACK
 NETTING IS GREY IN COLOR &
 FIRE-RETARDANT - NFPA 701**



#480 Netting

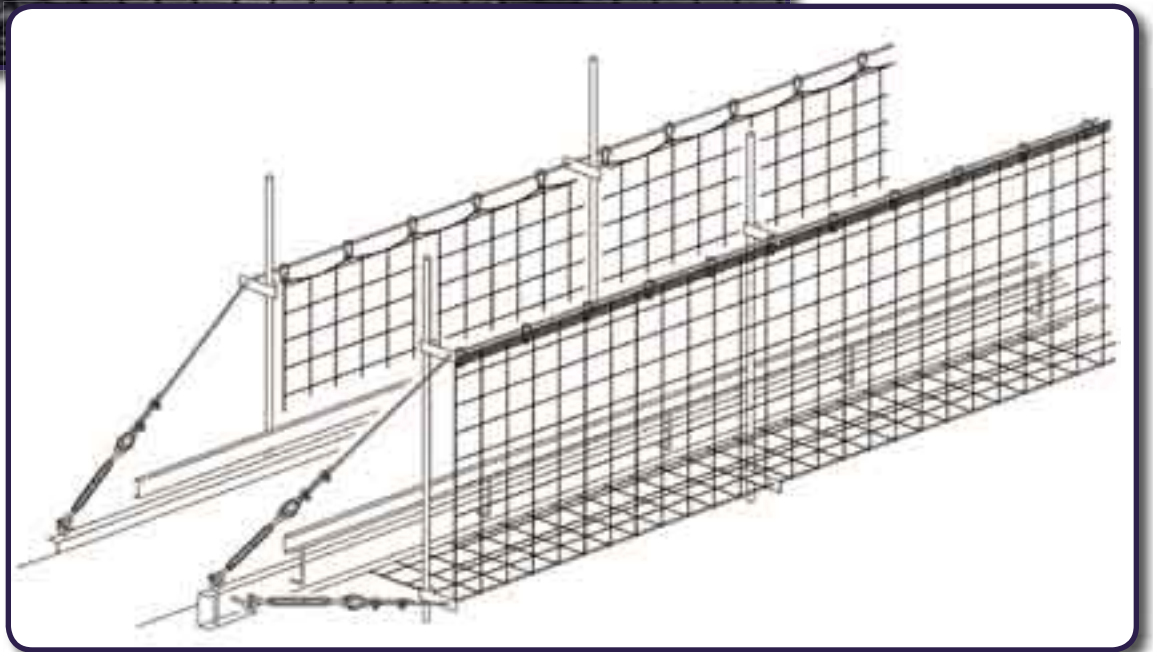
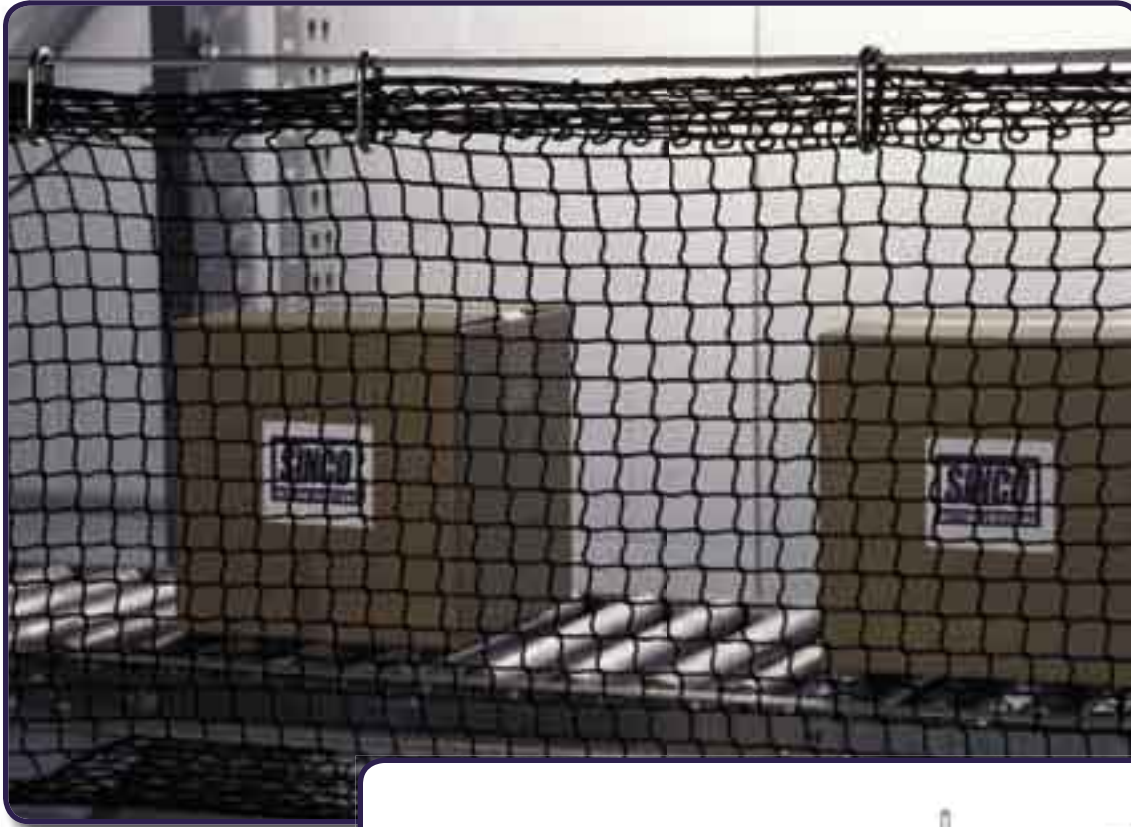


#245 Netting

BACK OF RACK KITS

Features :

- Netting material available in 1,000 foot pound capacity
- Nets available in widths of either 3' or 9' and in 25' or 50' lengths
- Nets can be joined for extended dimensions
- Hardware kits come complete with all necessary components for quick and easy installation



CONVEYOR KITS

Netting

MODEL #130, 1" X 1" Mesh; 1,000 lb. Load Rating		
Part #	Panel Dimensions (W X L)	Metric Panel Dimensions (W X L)
130108300	9' X 25'	2.74M X 7.62M
130108600	9' X 50'	2.74M X 15.24M
130036300	3' X 25'	.91M X 7.62M
130036600	3' X 50'	.91M X 15.24M

Ordering Information

(See pp. 6 & 7 for further details)

Choose size closest to your requirement.

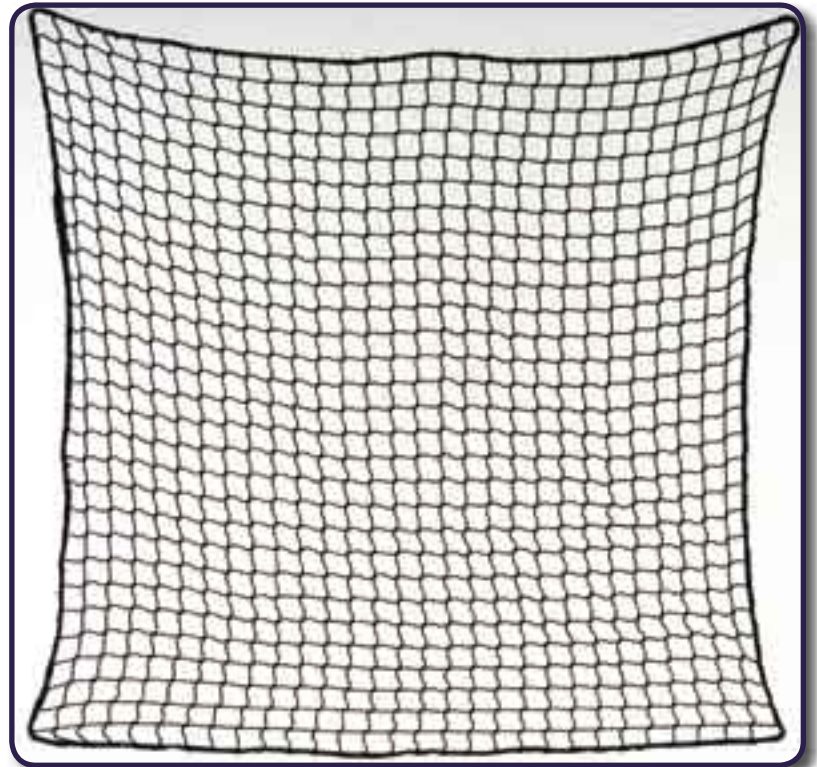
***PLEASE NOTE : ALL CONVEYOR**

NETTING IS BLACK IN COLOR &

FIRE-RETARDANT - NFPA 701

Model #130

- Knotless, Sewn Border
- 1" Square Mesh
- Nylon
- Rated at 1,000 ft. lbs.
- Fire Retardant-NFPA 701
- Mesh Twine:
 - o 190 lb. Tensile Breaking Strength
- Border Rope:
 - o .170 Diameter
 - o 1,200 lb. Tensile Breaking Strength



How To Order :

Example: 100' long conveyor with 700 lb. product capacity and covering 3' underneath and up 2-1/2' on each side would require:

- [2] Nets, Model #130 Net Part Number 130108600, 9' Wide x 50' Long
- [2] Box Shaped Guard Kits Part Number 20001 (see pg. 6)

In this case, attach nets together with nylon ties to create the 100' length. Twelve meshes along one long side of each net would be gathered to create the coverage needed.

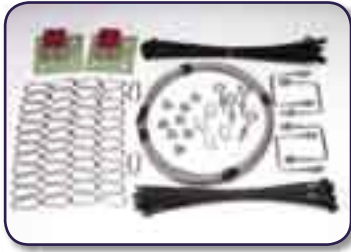
CONVEYOR KITS

Back of Rack Hardware Kits include all materials to hang the net and to adjust as needed.



#10001 Flush Mount/Starter Kit

- (60') 1/4" Wire Cable
- (4) 3/8" Eyebolts
- (8) 1/4" Cable Clamps
- (4) 1/4" Thimbles
- (50) 5/16" Snap Hooks
- (2 pkg) 20" Ties
- (4) Flush Clamps



#10002 Flush Mount/Add On Kit

- (60') 1/4" Wire Cable
- (4) 3/8" Eyebolts
- (8) 1/4" Cable Clamps
- (4) 1/4" Thimbles
- (50) 5/16" Snap Hooks
- (2 pkg) 20" Ties
- (2) Flush Clamps



#10003 Offset Mount/Starter Kit

- (115') 1/4" Wire Cable
- (8) 3/8" Eyebolts
- (16) 1/4" Cable Clamps
- (8) 1/4" Thimbles
- (100) 5/16" Snap Hooks
- (1 pkg) 20" Ties
- (4) Offset Clamps



#10004 Offset Mount/Add On Kit

- (115') 1/4" Wire Cable
- (8) 3/8" Eyebolts
- (16) 1/4" Cable Clamps
- (8) 1/4" Thimbles
- (100) 5/16" Snap Hooks
- (1 pkg) 20" Ties
- (2) Offset Clamps



#10005 Extension Starter Kit-Flush

- (2) Extensions
- (2) Diagonal Braces
- (2) Flush Clamps
- (2) Backstay Braces



#10006 Extension Add On Kit

- (1) Extension
- (1) Backstay Brace



#10007 Extension Starter Kit-Offset

- (2) Extensions
- (2) Diagonal Braces
- (2) Offset Clamps
- (2) Backstay Braces

Conveyor Hardware Kits include all materials to hang the net and to adjust as needed.

**#20001 Box Shaped Guard Kit
(25 or 50 foot run)**

- (220') 1/4" Wire Cable
- (8) 3/8" Eyebolts
- (4) 3/8" Turnbuckles
- (8) 1/4" Thimbles
- (16) 1/4" Cable Clamps
- (100) 5/16" Snap Hooks
- (1 pkg) 9" Ties

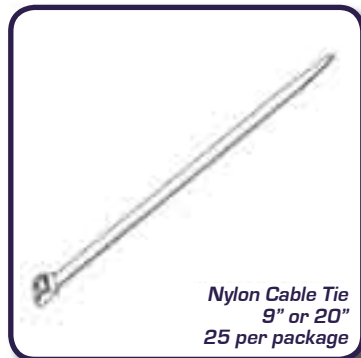
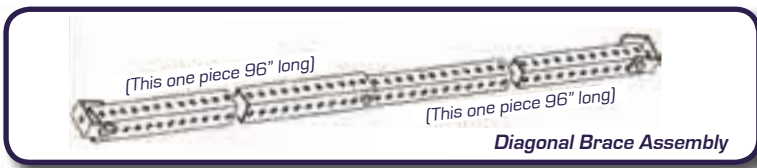
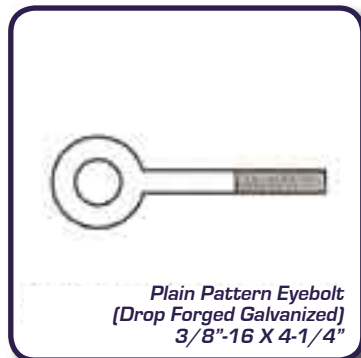
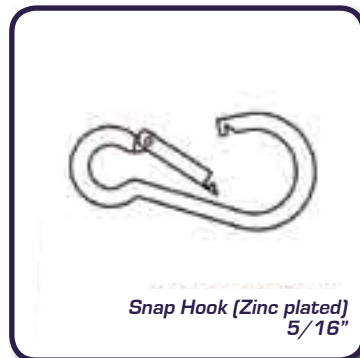
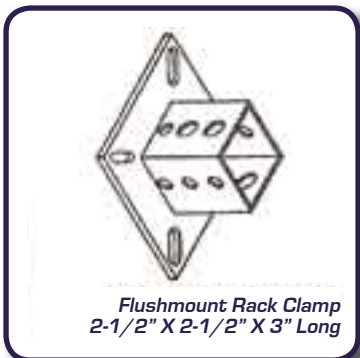
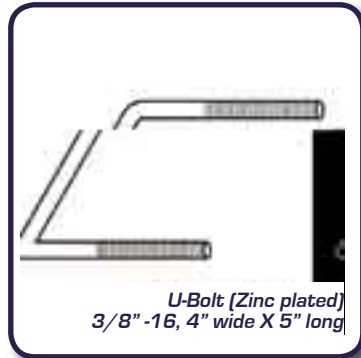
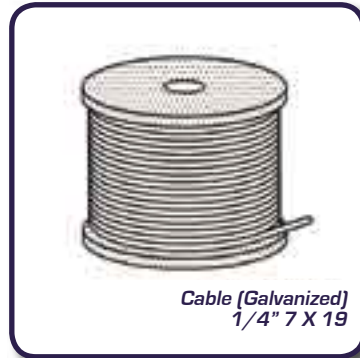
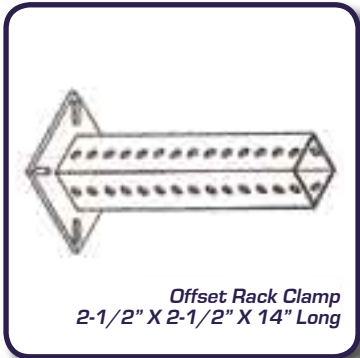
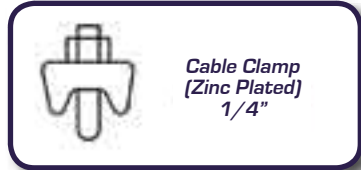
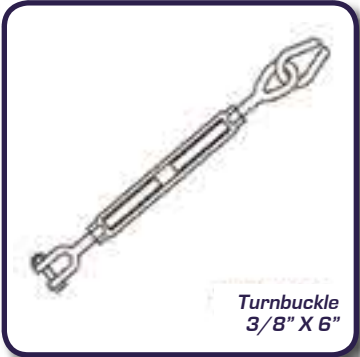
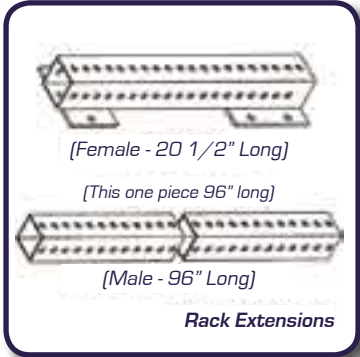


**#20002 Side Guard Kit
(25 or 50 foot run)**

- (110') 1/4" Wire Cable
- (4) 3/8" Eyebolts
- (2) 3/8" Turnbuckles
- (2) 1/4" Thimbles
- (8) 1/4" Cable Clamps
- (100) 5/16" Snap Hooks
- (1 pkg) 9" Ties

OTHER : #HWX0050 Optional J-Guide for 5/8" or 1/2" Threaded Rod

HARDWARE KITS



HARDWARE ID CHART



Cisco-Eagle can provide netting solutions for a multitude of applications. Please see our website at www.cisco-eagle.com for information on obtaining a custom solution for your netting requirements.



Dallas & Nationwide : 800.441.1162 or 972.406.9330
Arkansas : 800.482.8941 or 501.562.1985
Oklahoma City : 800.522.6532 or 405.947.7706
Tulsa : 800.722.4343 or 918.622.9010

CONTACT CISCO-EAGLE